

Cameras for vicosys®

Marlin

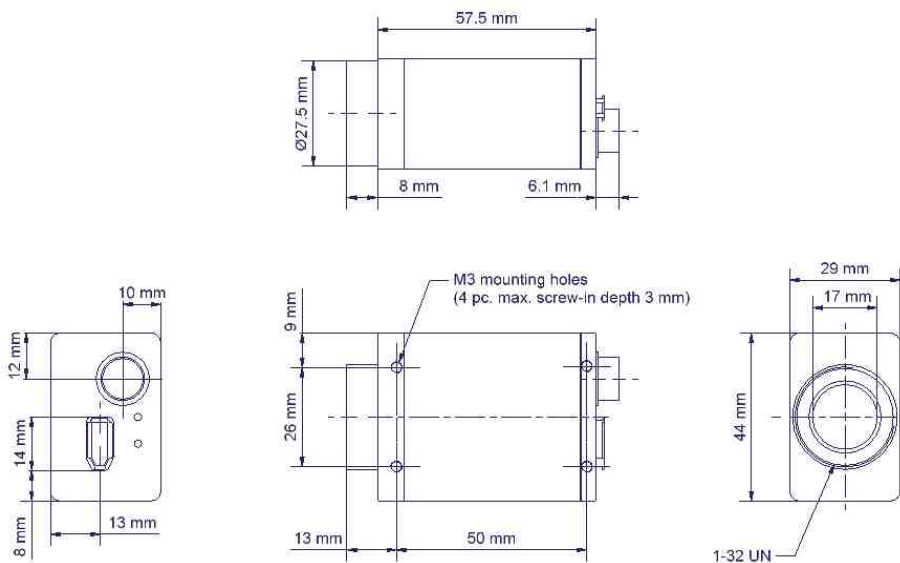
b/w cameras of Marlin series

Product features

- Digital FireWire cameras of most diverse resolutions
- External trigger
- Progressive Scan
- High Framerate
- Flexible AOI
- Internal image memory
- Opto decoupled I/Os
- Small design
- Compact and robust construction
- C-mount (thread connection)
- Very good price achievement relationship



Engineering drawing



Download Manual



Download CAD-File

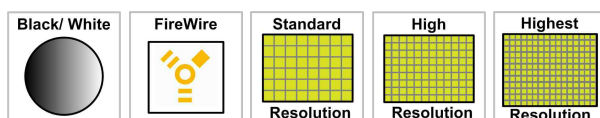


Definition

The cameras of the Marlin series are available as black/ white and also as color cameras.

The FireWire cameras of the Marlin series differs only in the characteristics of the chip and the maximum framerate.

Variants



Cameras for vicosys®

Marlin b/w cameras of Marlin series

Technical data

Model	Marlin F-033B 4-22-012	Marlin F-080B 4-22-018	Marlin F-131B 4-22-014	Marlin F-146B 4-22-026	Marlin F-201B 4-22-036
Sensor	1/2" Sony CCD, b/w, progressive scan	1/3" Sony CCD, b/w, progressive scan	2/3" Sony CMOS, b/w	1/2" Sony CCD, b/w, progressive scan	1/1.8" Sony CCD, colour, progressive scan
Pixel number	640 x 480	1024 x 768	1280 x 960	1392 x 1040	1600 x 1200
Cell size	9.9 µm x 9.9 µm	4.65 µm x 4.65 µm	6.7 µm x 6.7 µm	4.65 µm x 4.65 µm	4.4 µm x 4.4 µm
Analogue-digital converter	10 bit	10 bit	8 bit	10 Bit	10 Bit
Lens mount	C-Mount	C-Mount	C-Mount	C-Mount	C-Mount
Data interface	IEEE 1394a	IEEE 1394a	IEEE 1394a	IEEE 1394a	IEEE 1394a
Transfer rate	100, 200, 400 Mbit/s	100, 200, 400 Mbit/s	100, 200, 400 Mbit/s	100, 200, 400 Mbit/s	100, 200, 400 Mbit/s
Full frame frequency	up to 74 Hz	up to 30 Hz	up to 25 Hz	up to 17.4 Hz	up to 12.5 Hz
Gain Control	Manual: 0 ... 24 dB; Auto gain	Manual: 0 ... 24 dB; Auto gain	Manual: 0 ... 24 dB; Auto gain	Manual: 0 ... 24 dB; Auto gain	Manual: 0 ... 24 dB; Auto gain
Shutter	11 µs...67s, Auto Shutter	11 µs...67s, Auto Shutter	11 µs...67s, Auto Shutter	11 µs...67s, Auto Shutter	20 µs...67s, Auto Shutter
External trigger	Yes	Yes	Yes	Yes	Yes
Voltage supply	8 ... 36 VDC (via IEEE 1394 port)	8 ... 36 VDC (via IEEE 1394 port)	8 ... 36 VDC (via IEEE 1394 port)	8 ... 36 VDC (via IEEE 1394 port)	8 ... 36 VDC (via IEEE 1394 port)
Weight	< 120 g	< 120 g	< 120 g	< 120 g	< 120 g
Dimensions	58 x 44 x 29 mm ³	58 x 44 x 29 mm ³	58 x 44 x 29 mm ³	58 x 44 x 29 mm ³	58 x 44 x 29 mm ³
Operating temperature	+5 ... 45 °C	+5 ... 45 °C	+5 ... 45 °C	+5 ... 45 °C	+5 ... 45 °C

Variants

Variants	Marlin F033B	Marlin F080B	Marlin F131B	Marlin F146B	Marlin F201B
Order number	4-22-012	4-22-018	4-22-014	4-22-026	4-22-036

Cameras for vicosys®

Marlin

b/w cameras of Marlin series

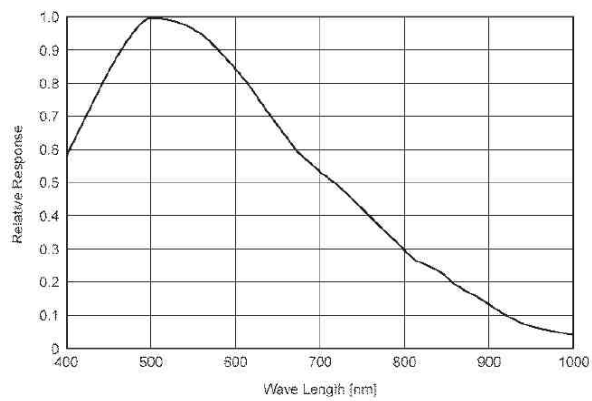
Notes

Scope of delivery

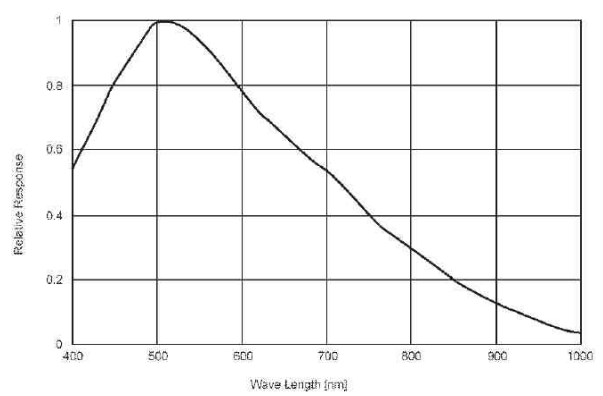
Marlin Camera
Camera cable IEEE 1394 4.5m

Technical diagram

Spectrale Response Marlin F033B



Spectrale Response Marlin F080B



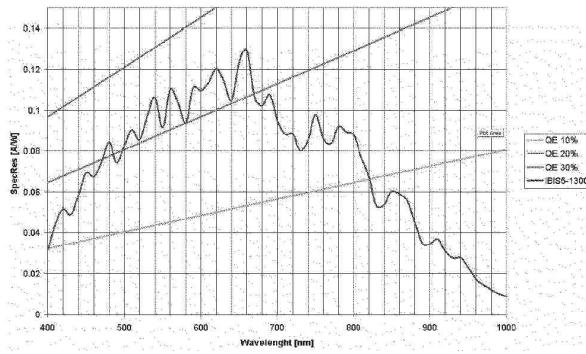
Cameras for vicosys®

Marlin

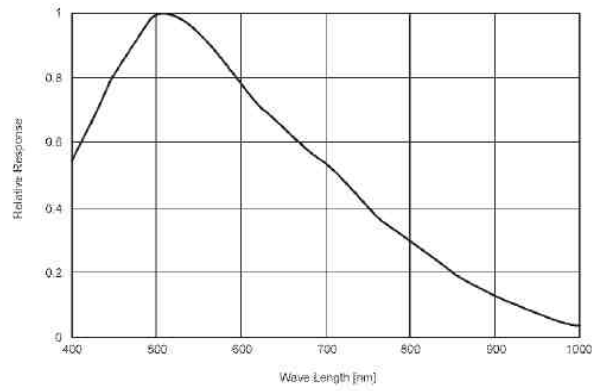
b/w cameras of Marlin series

Technical diagram

Spectrale Response Marlin F131B



Spectrale Response Marlin F146B



Technical diagram

Spectrale Response Marlin F201B

