

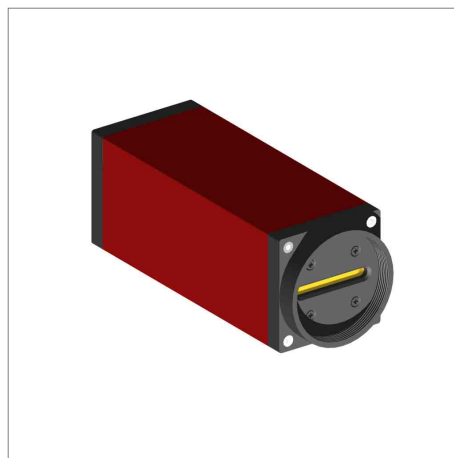
Cameras for vicosys®

Aton

Line scan camera of Aton Series

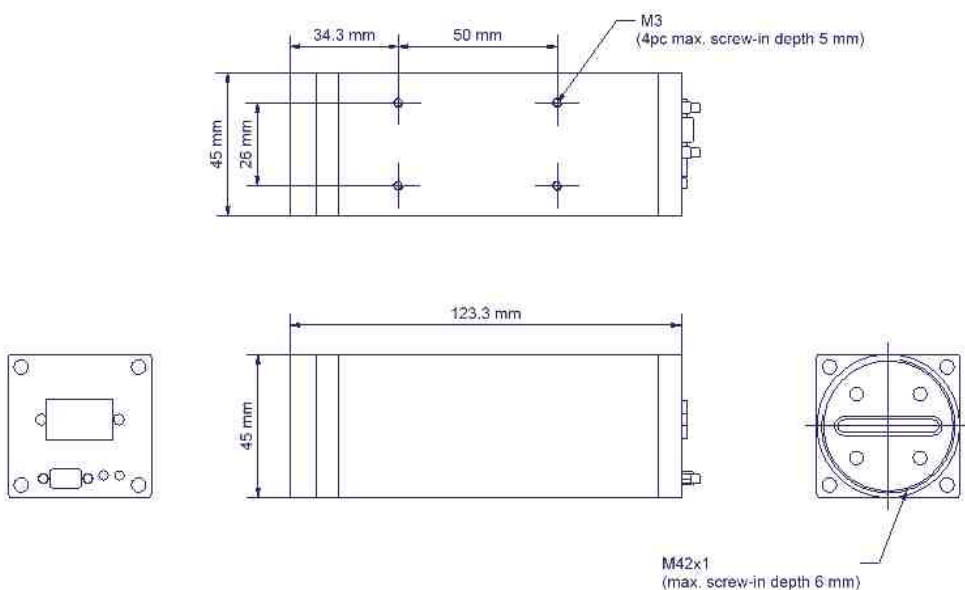
Product features

- Digital Line Scan cameras of most diverse resolutions
- Internal-/ external Line- and image trigger
- High sensitivity, small noise
- Anti-blooming
- 36 MHz pixel clock
- Area of interest
- IEEE 1394 interface
- Objectively connection M42*1



Engineering drawing

Attention! The maximum thread projection of the 4 mounting thread holes (M3) amounts to 5mm!



Download
Manual



Download
CAD-File



Definition

The cameras of the Aton series are available in three different resolutions. The connection to vicosys takes place over IEEE 1394a.

Variants



Cameras for vicosys®

Aton Line scan camera of Aton Series

Technical data

Model	Aton 512 Line Scan 4-22-033	Aton 1024 Line Scan 4-22-034	Aton 2048 Line Scan 4-22-035
Pixel number	512	1024	2048
Cell size	14 μm x 14 μm	14 μm x 14 μm	14 μm x 14 μm
Active sensor width	7.168 mm	14.336 mm	28.672 mm
Analogue-digital converter	10 bit	10 bit	10 bit
Lens mount	M42*1	M42*1	M42*1
Flange focal distance	9.97 mm	9.97 mm	9.97 mm
Data interface	IEEE 1394a	IEEE 1394a	IEEE 1394a
Pixel clock	36 MHz	36 MHz	36 MHz
Line frequency	max. 62.5 kHz	max. 32.kHz	max. 16 kHz
Dynamic	48 dB	48 dB	48 dB
Gain Control	-6 up to 42 dB, 1024 steps	-6 up to 42 dB, 1024 steps	-6 up to 42 dB, 1024 steps
Shutter	1 μs up to 4095 μs , step width 1 μs	1 μs up to 4095 μs , step width 1 μs	1 μs up to 4095 μs , step width 1 μs
Trigger	Internal and external	Internal and external	Internal and external
Voltage supply	8 ... 32 VDC (via IEEE 1394 port)	8 ... 32 VDC (via IEEE 1394 port)	8 ... 32 VDC (via IEEE 1394 port)
Weight	265 g	265 g	265 g
Dimensions	45 x 45 x 132 mm ³	45 x 45 x 132 mm ³	45 x 45 x 132 mm ³
Operating temperature	0 ... 45°C	0 ... 45°C	0 ... 45°C

Variants

Variants	Aton 512 Line Scan	Aton 1024 Line Scan	Aton 2048 Line Scan
Order number	4-22-033	4-22-034	4-22-035

Cameras for vicosys®

Aton

Line scan camera of Aton Series

Notes

Accessories

Order no.	Name	Discription
4-40-271	Aton Trigger I/O-cable	Trigger and I/O-cable for the Aton series
4-40-272	Aton M42X1 C-Mount	adapter for M42X1 thread on C-Mount

Scope of delivery

camera cable IEEE 1394 4,5 m, - cable for b/w firewire camera with Ferrite

Technical diagram

Spectral Response Aton 512 Line Scan

