

## Cameras for vicosys®

### Oscar

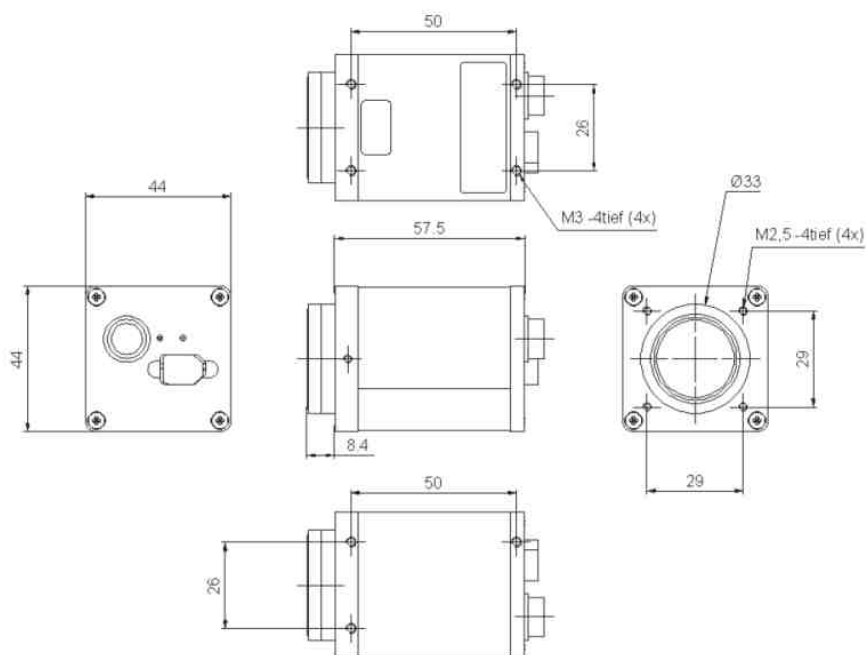
### Colour cameras of Oscar series

#### Product features

- Digital FireWire cameras of most diverse resolutions
- External trigger
- Progressive Scan
- High Framerate
- Flexible AOI
- Internal image memory
- Opto decoupled I/Os
- Small design
- Compact and robust construction
- C-mount (thread connection)
- Very good price achievement relationship



#### Engineering drawing



Download  
Manual



Download  
CAD-File



#### Definition

The cameras of the Oscar series are available as color cameras. But the camera operate in a mode, which convert the color image to a monochrom.

The FireWire cameras of the Oscar series differs only in the characteristics of the chip and the maximum framerate.

#### Variants



## Cameras for vicosys®

### Oscar Colour cameras of Oscar series

#### Technical data

Model	OSCAR F-510(C) 4-22-016	OSCAR F-810(C) 4-22-017
Sensor	2/3" CCD, colour, progressive scan	2/3" CCD, colour, progressive scan
Pixel number	2588 x 1958	3288 x 2470
Cell size	3.4 µm x 3.4 µm	2.7 µm x 2.7 µm
Analogue-digital converter	12 bit	12 bit
Color modes	MONO8; Y8-green, Y8-red, Y8-blue; RAW8/16; RGB8; YUV4:2:2; YUV 4:1:1	MONO8; Y8-green, Y8-red, Y8-blue; RAW8/16; RGB8; YUV4:2:2; YUV 4:1:1
Lens mount	C-Mount	C-Mount
Data interface	IEEE 1394a	IEEE 1394a
Transfer rate	100, 200, 400 Mbit/s	100, 200, 400 Mbit/s
Full frame frequency	up to 7.5 Hz	up to 8.9 Hz
Gain Control	Manual: 0 ... 20 dB; Auto gain	Manual: 0 ... 20 dB; Auto gain
Shutter	20 µs...67s, Auto Shutter	20 µs...67s, Auto Shutter
External trigger	Yes	Yes
Voltage supply	8 ... 36 VDC (via IEEE 1394 port)	8 ... 36 VDC (via IEEE 1394 port)
Weight	< 170 g	< 170 g
Dimensions	58 x 44 x 44 mm <sup>3</sup>	58 x 44 x 44 mm <sup>3</sup>
Operating temperature	+5 ... 45 °C	+5 ... 45 °C

#### Variants

Variants	Oscar F510C	Oscar F810C
Order number	4-22-016	41-22-017

## Cameras for vicosys®

Oscar

Colour cameras of Oscar series

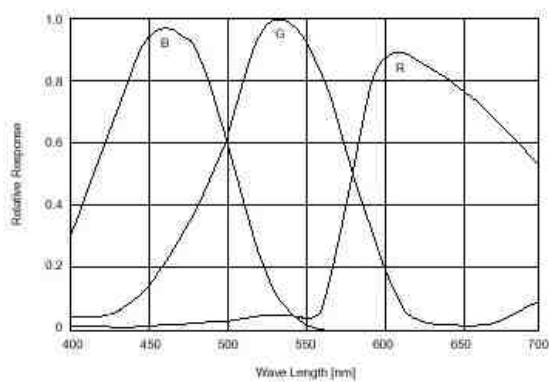
### Notes

### Scope of delivery

Oscar Camera  
Camera cable IEEE 1394 4.5m

### Technical diagram

Spectrale Response Oscar 510C



Spectrale Response Oscar 810C

