

## Cameras for vicosys®

Pike

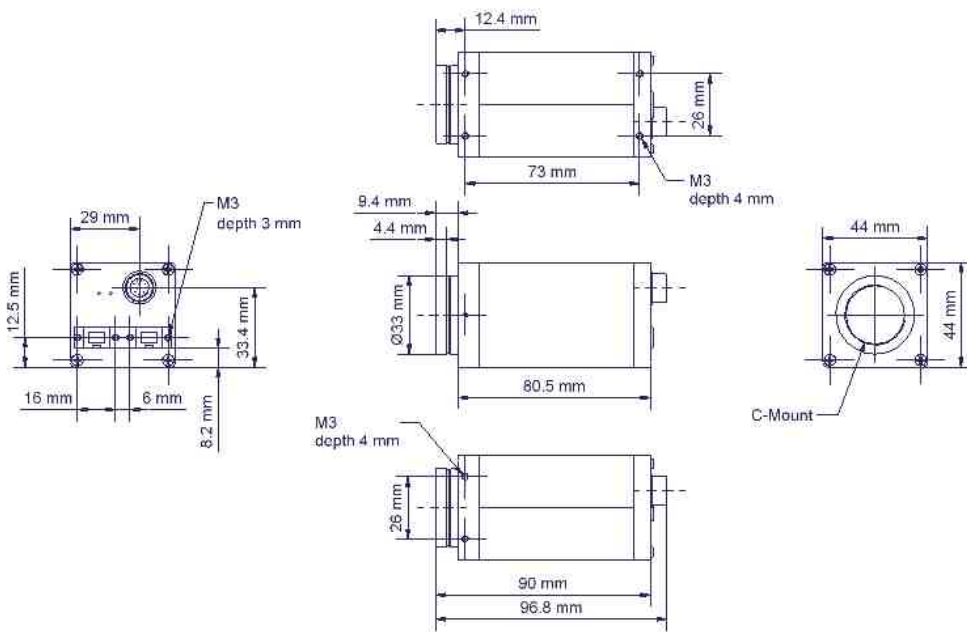
Colour cameras of Pike series

### Product features

- Digital FireWire b cameras of most diverse resolutions
- External trigger
- Progressive Scan
- High Framerate
- Flexible AOI
- Internal image memory
- Opto decoupled I/Os
- Small design
- Compact and robust construction
- C-mount (thread connection)
- Very good price achievement relationship



### Engineering drawing



Download  
Manual



Download  
CAD-File

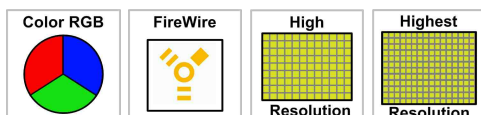


### Definition

The cameras of the Pike series are available as black/ white and also as color cameras.

The FireWire b cameras of the Pike series differs only in the characteristics of the chip and the maximum framerate.

### Variants



## Cameras for vicosys®

Pike

Colour cameras of Pike series

### Technical data

Model	Pike F-145C 4-22-029	Pike F-421C 4-22-032	Pike F-505C 4-22-067
Sensor	2/3" Sony CCD, colour, progressive scan	1.2" Kodak CCD, colour, progressive scan	2/3" Sony CCD, colour, progressive scan
Pixel number	1392 x 1040	2048 x 2048	2452 x 2054
Cell size	6.45 µm x 6.45 µm	7.4 µm x 7.4 µm	3.45 µm x 3.45 µm
Analogue-digital converter	14 Bit	14 Bit	14 bit
Color modes	Raw8, RGB8, YUV4:2:2, YUV4:1:1	Raw8, RGB8, YUV4:2:2, YUV4:1:1	Raw8, RGB8, YUV4:2:2, YUV4:1:1
Lens mount	C-Mount	C-Mount	C-Mount
Data interface	IEEE1394b	IEEE1394b	IEEE1394b
Transfer rate	100, 200, 400, 800 Mbit/s	100, 200, 400, 800 Mbit/s	100, 200, 400, 800 Mbit/s
Full frame frequency	22.7 Hz	up to 15 Hz	15 Hz
Gain Control	Manual: 0 ... 32 dB; Auto gain	Manual: 0 ... 20 dB; Auto gain	Manual: 0 ... 24 dB; Auto gain
Shutter	36 µs...67s, Auto Shutter	93 µs...67s, Auto Shutter	27 µs...67s, Auto Shutter
External trigger	Yes	Yes	Yes
Voltage supply	8 ... 36 VDC (via IEEE1394b port)	8 ... 36 VDC (via IEEE1394b port)	8 ... 36 VDC (via IEEE1394b port)
Weight	250 g	250 g	250 g
Dimensions	96.8 x 44 x 44 mm <sup>3</sup>	96.8 x 44 x 44 mm <sup>3</sup>	96.8 x 44 x 44 mm <sup>3</sup>
Operating temperature	+5 ... 50 °C	+5 ... 50 °C	+5 ... 50 °C

### Variants

Variants	Pike F-145C	Pike F-421C	Pike F-505C
Order number	4-22-029	4-22-032	4-22-067

## Cameras for vicosys®

Pike

Colour cameras of Pike series

### Notes

For using the Pike on vicosys® 2300/ 2400 or 2480 it is necessary to buy a separate adapter cable IEEE1394a/b. You will find it under Accessories.

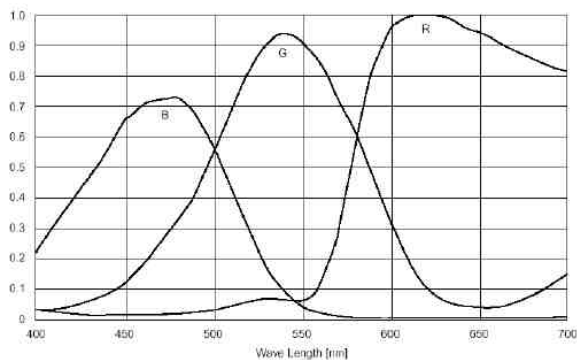
vicosys® 2480 can work with 6 cameras of the Pike series. Each further camera of Pike, Marlin, Guppy, Oscar or other type will disturb the vicosys® functionality.

### Accessories

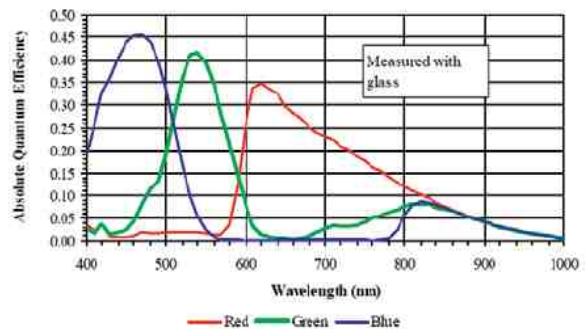
Order no.	Name	Description
4-40-270	IEEE1394a/b adapter	adapter cable for connection by IEEE1394a with IEEE1394b

### Technical diagram

Spectrale Response Pike F-145C



Spectrale Response Pike F-421C



## Cameras for vicosys®

Pike

Colour cameras of Pike series

### Technical diagram

Spectrale Response Pike F-505C

